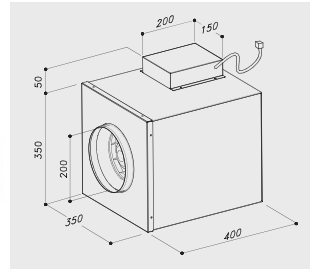
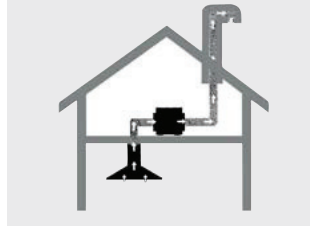
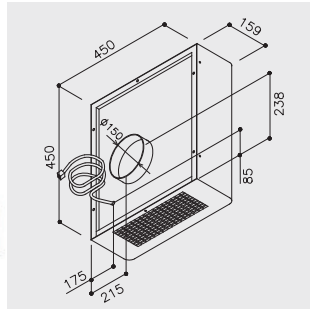
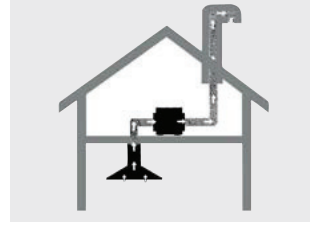


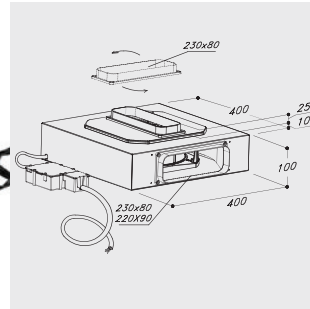
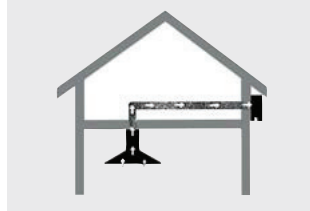
SEM1
air inlet:
Ø 150mm



SEM8
air inlet:
Ø 200/150mm



SEM2
air inlet:
Ø 150mm



SEM10



REMOTE MOTORS